



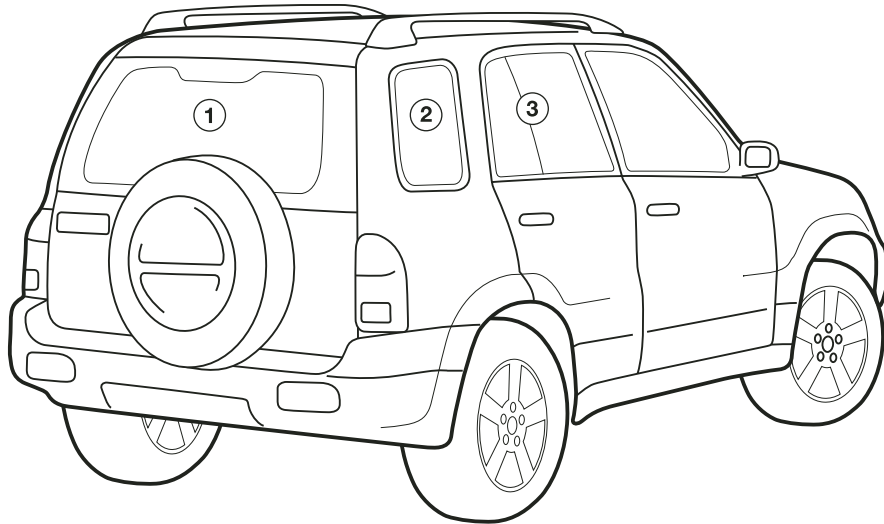
GRAND VITARA 5dr - SUN BLIND INSTALLATION INSTRUCTIONS

PART NUMBER SIE: 990E0-65D03-000

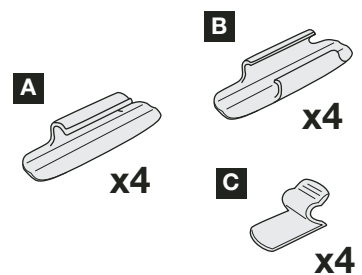
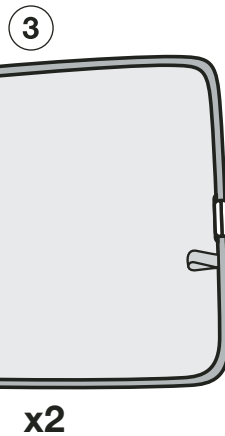
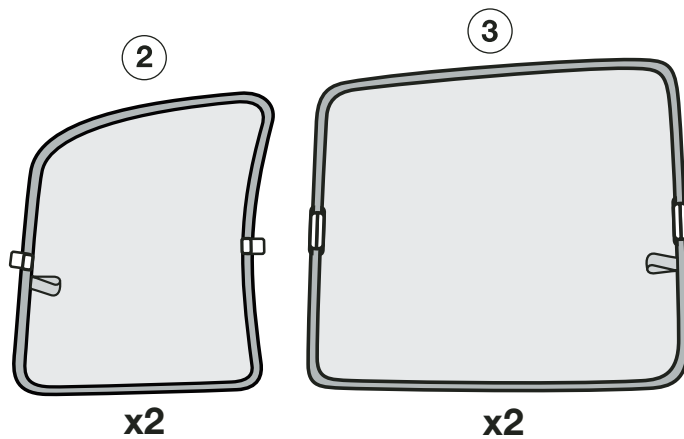
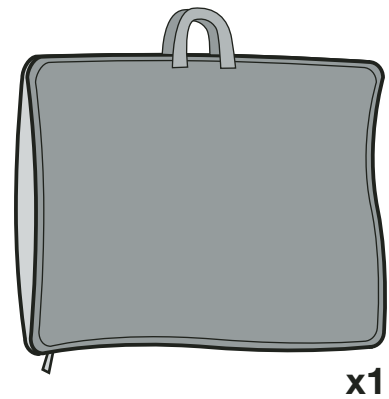
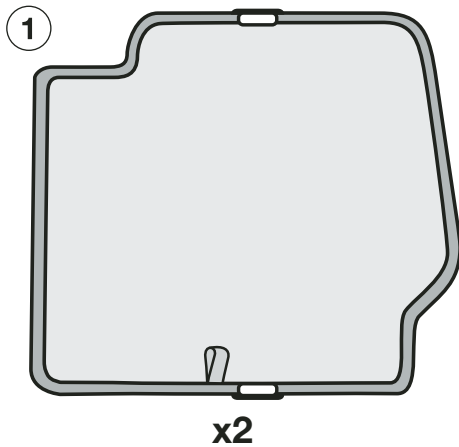
GB: 9904A-00008

VEHICLE DESCRIPTION:

GRAND VITARA 5dr SUNBLINDS

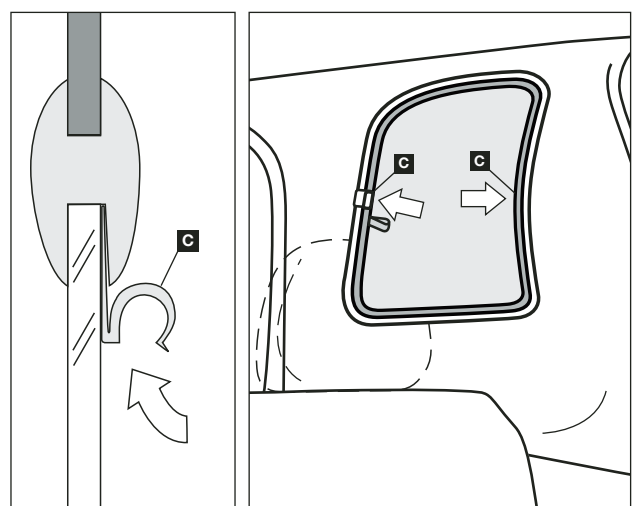
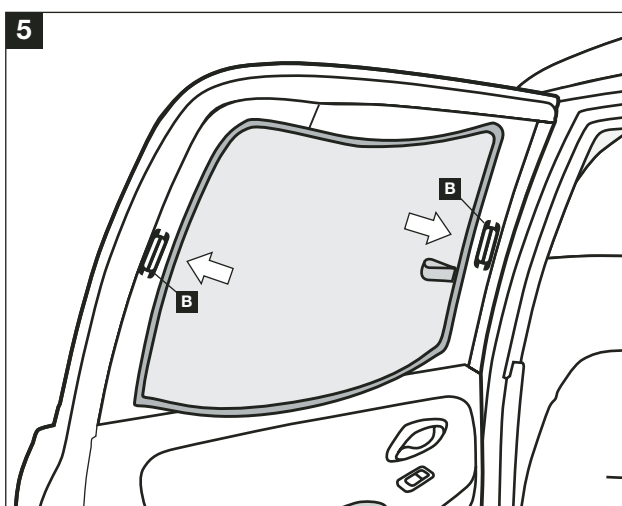
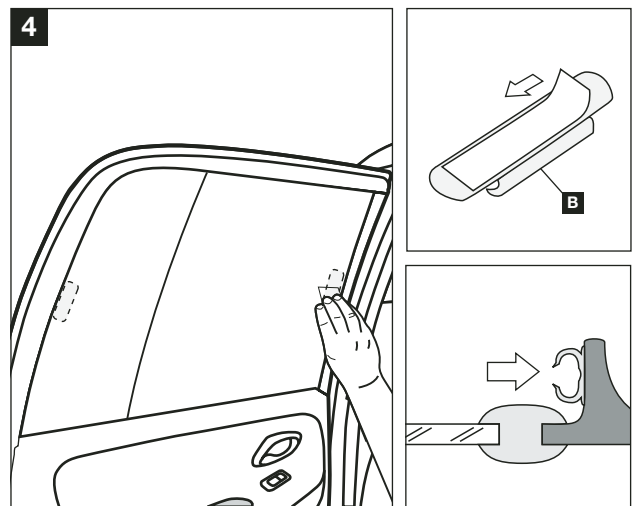
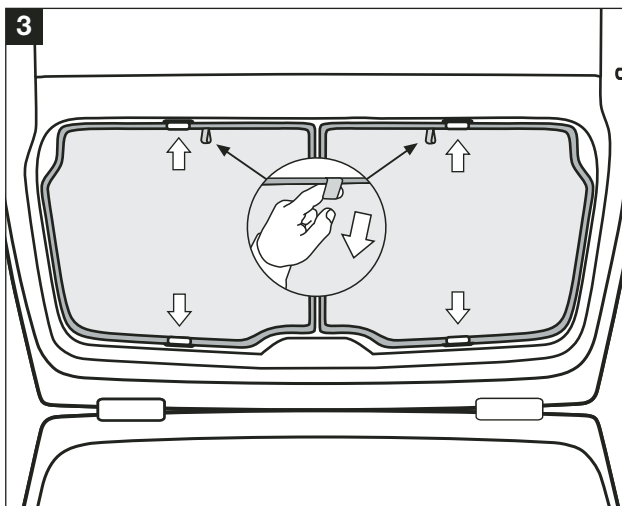
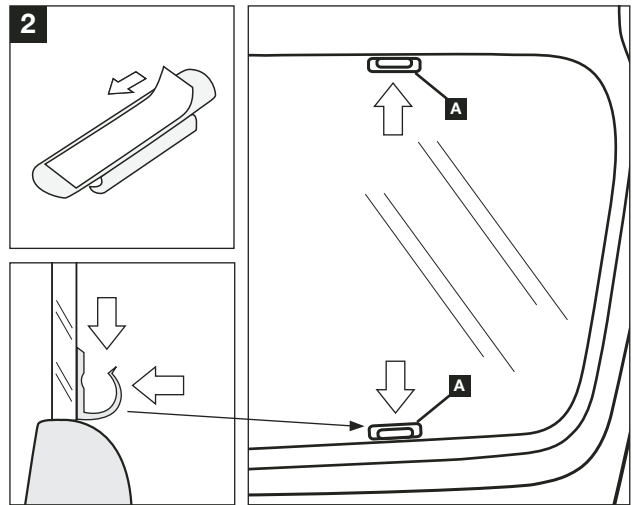
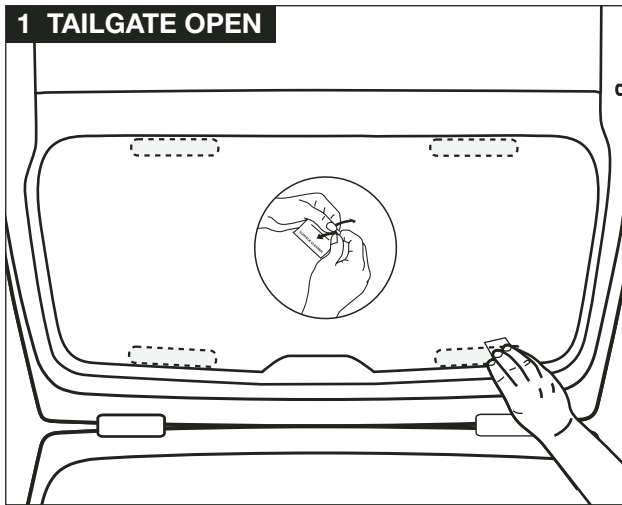


HARDWARE KIT



Warning

Read these fitting instructions carefully before you start the installation. Rear passenger windows must not be lowered more than 1/3 whilst the blinds are fitted and the vehicle is in motion. Blinds must not be used during the hours of darkness. On installation care must be taken not to scratch any paintwork with clips.



WARNING:

Read these fitting instructions carefully before you start the installation. Rear passenger windows must not be lowered more than 1/3 whilst the blinds are fitted and the vehicle is in motion. On installation care must be taken not to scratch any paintwork with clips.

